



LCD module rotation: 350°

Housing rotation: 180°
left or right

Highlights

- Pressure type: differential pressure
- Multiple measurement ranges from -435 to 1500 PSI (-12041 to 41520 inH2O)
- Reference accuracy: $\pm 0.075\%$ of full span
- Stability: $\pm 0.2\%$ Upper Range Limit / 5 years
- Output signal options:
 - (1) 1-5 V (2) RS485 Modbus
 - (3) 4-20 mA (4) 4-20 mA/HART
- TD ratio of up to 100:1 (accuracy not affected at TD ratio of 10:1 and below)¹
- All models support PV reversal (high side / low side) except for the 1500 PSI model
- Backlit LCD provided with both internal and external control buttons
- HART support:
 - Universal and Common Practice Commands supported
 - Compatible with most HART Field Communicators
- Operating temperature:
 - 40 to 60 °C (-40 to 140 °F)
 - LCD: -20 to 60 °C (-4 to 140 °F)
- Diaphragm option: Hastelloy C or 316L SS
- 2X overload pressure using dual diaphragm structure
- Accurate filling fluid technology eliminates effects of temperature and static pressure
- Process temp. measurement tag supported on Modbus and HART, -40 to 85 °C (-40 to 185 °F)²
- Explosion-proof (standard on all models)
- Intrinsically Safe (4-20 mA/HART options only)




The Ideal Choice for Differential Pressure Monitoring Applications

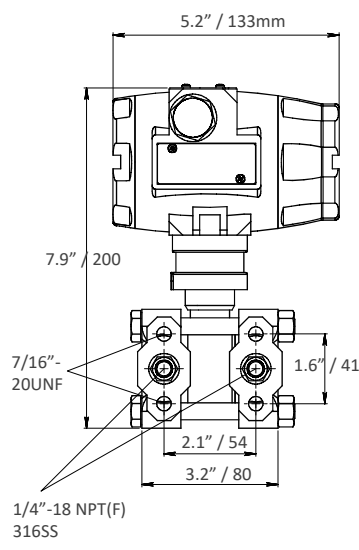
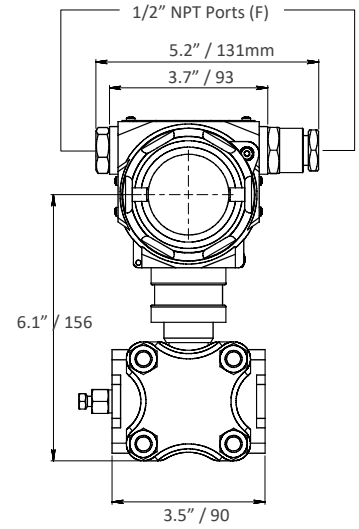
The OleumTech H Series Differential Pressure Transmitter is a high-performance instrument utilizing the world's most advanced monocrystalline silicon pressure sensor and patented encapsulation technology. The Differential Pressure Transmitter is designed for use in rigorous industrial applications with robust resistance to chemical exposures, mechanical loads, and EMI.

The OleumTech Differential Pressure Transmitter is easy to install and operate. It can be ordered with a variety of options to fit your specific needs. The OleumTech H Series DP Transmitter is a natural choice for a wide variety of oil, gas, water, wastewater, and other mission-critical applications that require a high level of accuracy and reliability.

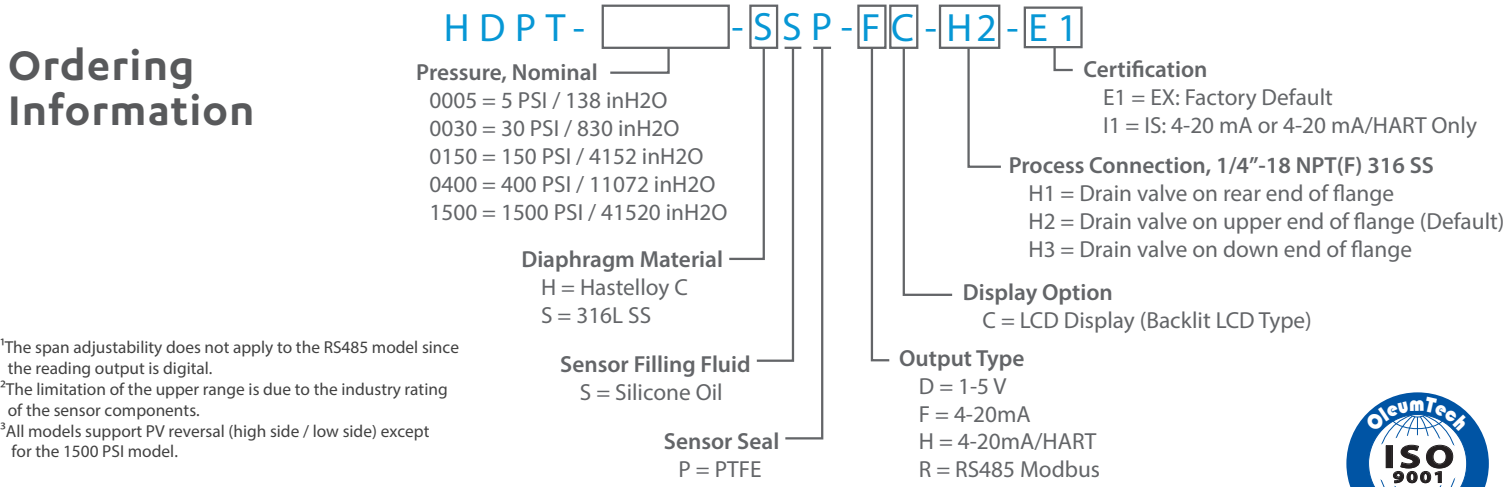
Part Number	Nominal Value		Smallest Cal. Span		Lower Range Limit (LRL)		Upper Range Limit (URL)		Static Pressure Limit		Low Pressure Side Overload Limit		High Pressure Side Overload Limit	
	PSI	inH2O	PSI	inH2O	PSI	inH2O	PSI	inH2O	PSI	inH2O	PSI	inH2O	PSI	inH2O
HDPT0005	5	138	0.05	1.4	-5	-138	5	138	5800	160543	2320	64217	3625	100340
HDPT0030	30	830	0.3	8.3	-30	-830	30	830	5800	160543	2320	64217	3625	100340
HDPT0150	150	4152	1.5	41.5	-150	-4152	150	4152	5800	160543	2320	64217	3625	100340
HDPT0400	400	11072	4	110.7	-400	-11072	400	11072	5800	160543	2320	64217	3625	100340
HDPT1500 ³	1500	41520	15	415.2	-435	-12041	1500	41520	5800	160543	2320	64217	3625	100340

Technical Specifications

HARDWARE FEATURES	
Device Functionality	· Differential Pressure Transmitter
Output Signal Options	· 1-5 V, 4-20 mA, 4-20 mA + HART, RS485 Modbus
Linear Output Accuracy	· $TD \leq 10:1, \pm 0.075\%$ URL (With a TD ratio equal to or less than 10:1, the accuracy is 0.075% of URL) · $10:1 < TD \leq 100:1, \pm 0.0075\%$ x TD URL (With a turndown ratio greater than 10:1 but equal to or less than 100:1, the accuracy is 0.0075% times the turndown of the URL)
LCD Display Mode	· PV (Process Variable) / mA / % / Voltage
Damping Time	· Amplifier: 0-100 Seconds (Adj), Diaphragm Capsule and Silicone Oil Filling: ≤ 0.2 S, Start After Power Off: ≤ 6 S
Unit	· PSI (Factory Default), OSI, Pa, kPa, MPa, BAR, mbar, mmHg, mHg, INHg, mmH2O, mH2O, INH2O, FTH2O, TORR, g/cm2, kg/cm2, ATM, mm, m
Analog Output Type	· Linearity
Basic Operational Functions	· Set PV = 0, Zero Adj (4 mA Re-range with Pressure), Span Adj (20 mA Re-range with Pressure), Factory Reset
ELECTRICAL SPECIFICATIONS	
Power Supply	· 1-5 V: 9-55 Vdc Max · 4-20 mA: 10.5 Vdc (At Terminal, No Load), 16.5 Vdc (250 ohm Load) to 55 Vdc Max (28 Vdc Max for IS) · 4-20 mA/HART: 10.5 Vdc (At Terminal, No Load), 16.5 Vdc (250 ohm Load) to 55 Vdc Max (28 Vdc Max for IS) · RS485 Modbus: 9 to 30 Vdc Max
Power Consumption	· 1-5 V: 4 mA (Max) / 4-20 mA/HART: 21 mA (Max) / HART Multi-drop: 4 mA / RS485: 12 mA (Max)
Surge Protection	· The transmitter has been tested to withstand a transient surge up to 2000 V (common mode) or 1000 V (normal mode) without damage (Per IEC Std. 61000-4-5)
MECHANICAL SPECIFICATIONS	
Dimensions (LCD)	· 5.2" (W) x 7.9" (H) x 5.2" (D) / 131 mm (W) x 200 mm (H) x 133 mm (D)
Weight	· Net: 8.5 lbs. (3.9 kg) / Gross: 9.5 lbs. (4.3 kg)
Package Dimensions	· 9.5" (W) x 8" (H) x 8.25" (D) / 241 mm (W) x 203 mm (H) x 210 mm (D)
Enclosure Casing Material	· Type 4X Aluminum; IP66
Cable Entry Ports	· (2) 1/2" NPT, 1 Plug Included
Flange Options	· H1 (Drain Valve on Rear End of Flange), H2 (Drain Valve on Upper End of Flange), H3 (Drain Valve on Down End of Flange)
CERTIFICATION & COMPLIANCE	
Safety	· IS Option Available on 4-20 mA and 4-20 mA/HART Only, Explosion-proof (Standard) All Models · Class I, Division 1, Groups A, B, C, D T6 · Class I, Division 2, Groups A, B, C, D T4 · Class II, III Division 1, Groups E, F, G T80 °C · Ambient Temperature: Ta = -40 to 60 °C (-40 to 140 °F)
cCSAus	
GENERAL SPECIFICATIONS	
Storage Temperature	· -40 to 110 °C (-40 to 230 °F), Integrated LCD: -40 to 85 °C (-40 to 185 °F)
Process Temperature	· Silicone Oil Filling (S): -40 to 120 °C (-40 to 248 °F)
Process Temp. Measurement	· -40 to 85 °C (-40 to 185 °F), $\pm 4\%$ Accuracy (°C), Supported on Modbus and HART (SV) Models
Operating Humidity	· 5 to 100% @ 40 °C (104 °F)
Warranty	· 2-Year Parts and Labor
ACCESSORIES	
Mounting Kits	· SX1000-MK10: Wall or 2" Pipe Mounting Kit, Includes Bracket and Hardware



Ordering Information



¹The span adjustability does not apply to the RS485 model since the reading output is digital.
²The limitation of the upper range is due to the industry rating of the sensor components.
³All models support PV reversal (high side / low side) except for the 1500 PSI model.

