

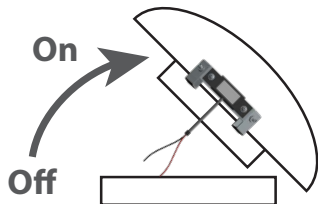
DATASHEET
SX1000-S30

Highlights

- Instantly detect thief hatch open/close status
- Provides a 30 ft (9.1 m) robust outdoor cable
- Can be mounted on either side of thief hatch
- Compatible with OleumTech wireless and serial level transmitters with discrete input(s)
- Extremely quick and easy to install
- Simple apparatus / dry contact switch (SPST)
- Class I, Division 1 Intrinsically Safe

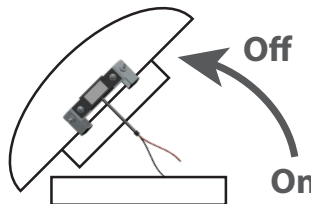


Switch mounted on the **RIGHT** side of hatch.

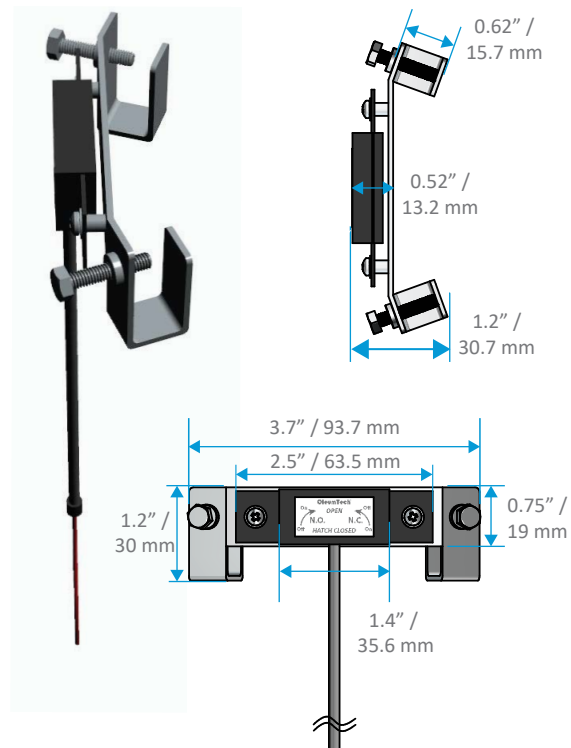


Normally Open (N.O.)

Switch mounted on the **LEFT** side of hatch.



Normally Closed (N.C.)



The OleumTech Thief Hatch Switch conforms to Class I, Div. 1, Groups A,B,C,D; Class II, Div.1, Groups E,F,G; and Class I, Zone 0 Intrinsically Safety requirements by being defined as a Simple Apparatus.

A Simple Apparatus, as defined in CSA/IEC 60079-11 and EN 60079-0 standards, is an electrical component or combination of components of simple construction with well-defined electrical parameters and which is compatible with the intrinsic safety of the circuit in which it is used. The OleumTech Thief Hatch Switch meets this definition since the device neither generates nor stores more than 1.2 volts, 0.1 amps, 25 mW or 20 μJ.

Specifically, the SX1000-S30 Thief Hatch Switch conforms to:

- ANSI/UL/CSA 61010-1
- ANSI/UL/CSA 60079-0
- ANSI/UL/CSA 60079-11
- ANSI/UL 50E
- ANSI/UL 913
- CAN/CSA C22.2 No. 94.2

TECHNICAL SPECIFICATIONS

| | |
|-----------------------|---|
| Contact Capacity | • 60 Volts Max, 0.25 A Max, 3 VA Max |
| Contact Resistance | • 5 Ω Max Measured 10° Below Horizontal at 5 Vdc |
| Differential Angle | • 15° Max |
| Operating Temperature | • -37° to 100°C |
| Connection | • Flying Leads |
| Switch Type | • Single Pole Single Throw |
| Cable Length | • 30 ft / 9.1 m |
| Mounting | • Integrated Bracket with 2 Set Screws (7 mm Hex) |
| Part Number | • SX1000-S30 |

